

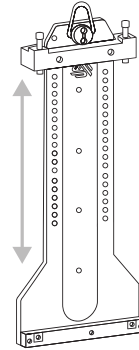
Levi-Load 20



Span Envelope

UPLIFT LEVI-LOAD 20
1000 lb. Max Weight
Patent Pending
Designed to ASME BTH-1-17 Specification

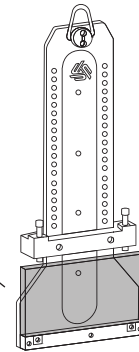
21.75" Max Span
7.00" Min Span



Minimum Envelope

UPLIFT LEVI-LOAD 20
1000 lb. Max Weight
Patent Pending
Designed to ASME BTH-1-17 Specification

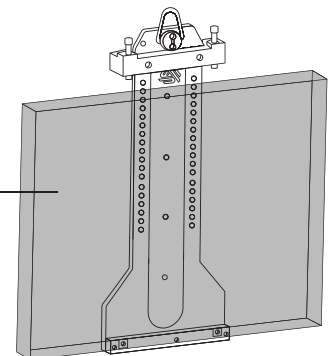
Min Block
10.00" Length
7.00" Width
1.00" Thickness



Maximum Envelope

UPLIFT LEVI-LOAD 20
1000 lb. Max Weight
Patent Pending
Designed to ASME BTH-1-17 Specification

Max Block
30.00" Length
21.50" Width
5.00" Thickness



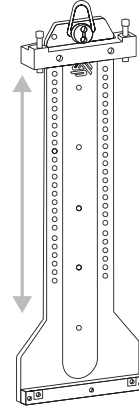
Levi-Load 30



Span Envelope

UPLIFT LEVI-LOAD 30
1000 lb. Max Weight
Patent Pending
Designed to ASME BTH-1-17 Specification

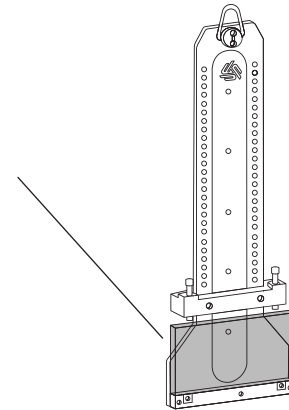
30.25" Max Span
7.00" Min Span



Minimum Envelope

UPLIFT LEVI-LOAD 30
1000 lb. Max Weight
Patent Pending
Designed to ASME BTH-1-17 Specification

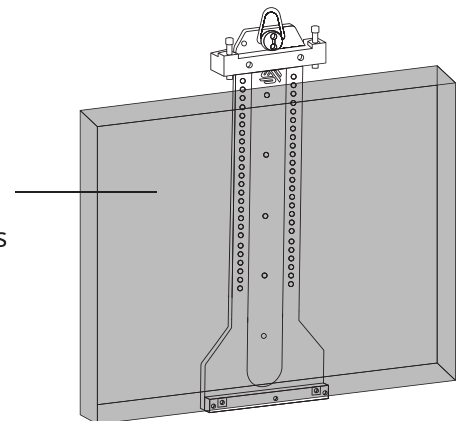
Min Block
14.00" Length
7.00" Width
1.00" Thickness



Maximum Envelope

UPLIFT LEVI-LOAD 30
1000 lb. Max Weight
Patent Pending
Designed to ASME BTH-1-17 Specification

Max Block
50.00" Length
29.50" Width
5.00" Thickness



Levi-Load 40



Span Envelope

UPLIFT LEVI-LOAD 40
1000 lb. Max Weight
Patent Pending
Designed to ASME BTH-1-17 Specification

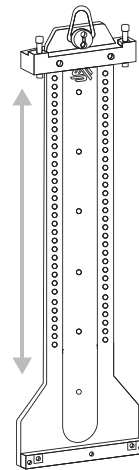
Minimum Envelope

UPLIFT LEVI-LOAD 40
1000 lb. Max Weight
Patent Pending
Designed to ASME BTH-1-17 Specification

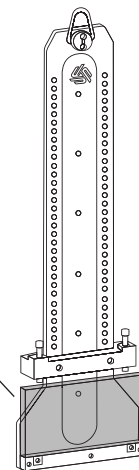
Maximum Envelope

UPLIFT LEVI-LOAD 40
1000 lb. Max Weight
Patent Pending
Designed to ASME BTH-1-17 Specification

40.25" Max Span
7.00" Min Span



Min Block
14.00" Length
7.00" Width
1.00" Thickness



Max Block
(1000 lbs)
50.00" Length
39.50" Width
5.00" Thickness

